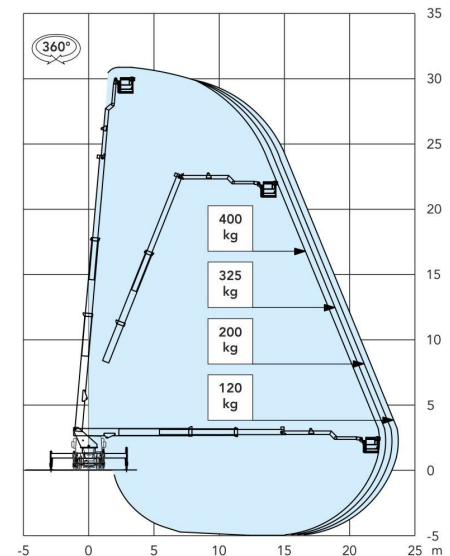
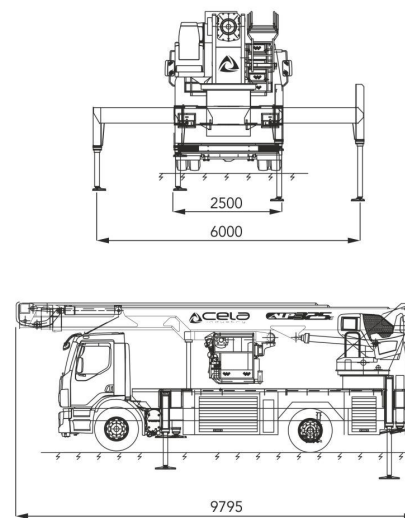


ALP 325 E



Data are indicative and subject to change without prior notice

MAX. WORKING HEIGHT	mt	32,50
MAX. WORKING OUTREACH (WITH 120 KG)	mt	24,00
MAX. DOWNREACH	mt	5,00
MAX. UP-AND-OVER CAPACITY	mt	9,00
SAFE WORKING LOAD	kg	400
RESCUE CAGE SIZE	mm	2000x1000x1100
FOLDABLE FRONT PLATFORM	mm	1360x520
TRANSPORTATION LENGTH *	mm approx.	9800
TRANSPORTATION WIDTH *	mm approx.	2500
TRANSPORTATION HEIGHT *	mm approx.	3300
MINIMUM GWV	kg	18000
WATER CAPACITY	l/min	3800
MAX OPERATING WIND SPEED	m/s	14

* depending on chassis

